

# Northwest Woodworkers' Guild

## THE SAWDUST NEWS

February 2012

<http://www.nwwguild.org>

**Next Meeting:**

**Franklin Glue  
International**

**by Jerry Walters**

**February 23**

**▶ 6:30 PM ◀**

**Woodcraft Supply**

**5963 Corson Ave. S.  
Seattle WA 98108**



## President's Message

— by Bob Schaefer

The January 26 meeting of the Guild took place at Daly's Paint and Wallpaper Store at 3525 Stone Way in the Fremont district.

Robin Daly, a fourth generation member of the founding family, gave a brief talk about Daly's. The main presentation was next, and it was indeed most informative concerning the extensive armamentarium of wood finishing products and methods of application. A large amount of interest by the Guild was evident as shown by the many questions during and following the excellent presentation.

At the conclusion, Robin distributed coupon books to all members as well as product descriptions which covered virtually all of the material in the presentation. Many Thanks to Robin Daly and her most capable staff.

Business part of the meeting. I counted at least 21 members--there may have been a few more.

Treasurer's report. \$3500.00

Membership secretary's report. Seventy paid members, two honorary and three new members.

Herb Stoops distributed his nicely crafted marking gauges to all who had not yet received them. Thank you Herb for such a thoughtful deed.

Show and Tell -

Please look at the photograph section of the bulletin. The pictures tell you more than I can.

Chris Green presented a whimsical and very colorful multi drawer jewelry cabinet. As always with Chris' projects there were numerous challenges all of which Chris overcame.

Mark Hopkins showed a lovely jewelry box featuring beautiful woods and hand cut dovetails...really fine workmanship.

A really nice shaker style small circular table was shown by one of our talented members. Unfortunately I did not get his name before he left the meeting. Let me know who you are so your name can be mentioned in a subsequent bulletin.

Charlie Culler showed numerous color photographs of a large complex furniture piece which is still a work in progress.

The next meeting will be at Woodcraft Supply, Thursday February 23, 6:30 PM. The speaker will be Jerry Walters from Franklin Glue International. The topic will be glue-- a subject of considerable interest to all woodworkers.

A final note—We would like to see all the show and tell objects placed on one or more of the workbenches prior to the meeting and try to limit the oral presentation to about five minutes. If anyone has strong feelings about this, this may be discussed at the meeting.

I look forward to seeing you all at the next meeting.

### Guild Officers

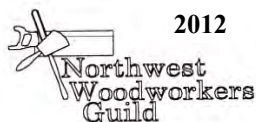
**President**—Bob Schaefer  
**Vice-president and  
Membership**—Sally Wright  
**Treasurer**—Chris Green  
**Secretary**—Rick Tydings  
**Programs**—Al Falco, Don  
McNutt, Jack Martin, Ed  
Moore, Ray Ross  
**Raffle**—Tom Murray, Herb  
Stoops

The following are volunteer  
positions and are not  
Officers of the Guild:

**Webmaster**  
Tom Howorth  
thoworth@gmail.com

**Newsletter**  
Steve Krauss  
catbert@oz.net  
425-746-5067

A forum for woodworkers of all skill levels to share their common interests



Northwest Woodworkers Guild  
Steve Krauss, Newsletter Editor  
16204 Main St  
Bellevue, WA 98008

## Member's Discounts

All members in good standing receive a membership card that will allow them to get a discount at the stores listed below:

**Crosscut Hardwoods**  
4100—1st Avenue S.,  
Seattle 98134  
**10% Discount**

**Rockler Woodworking**  
3823 Stone Way N.  
Seattle 98103  
**10% Discount (not valid on power tools)**

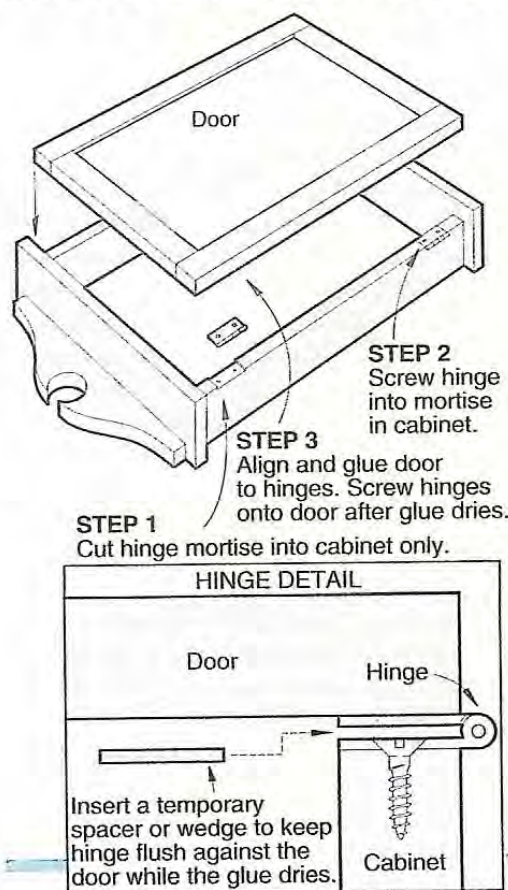
**Woodcraft Supply**  
5963 Corson S.,  
Seattle 98108  
**10% Discount (not valid on power tools or workbenches)**

**Edensaw Woods**  
8032 S. 194th St.  
Kent, WA 98032

Please present your current membership card to receive your discount.

## Shop Tip (submitted by Herb Stoops)

### WHEN YOU WANT HINGES TO STICK



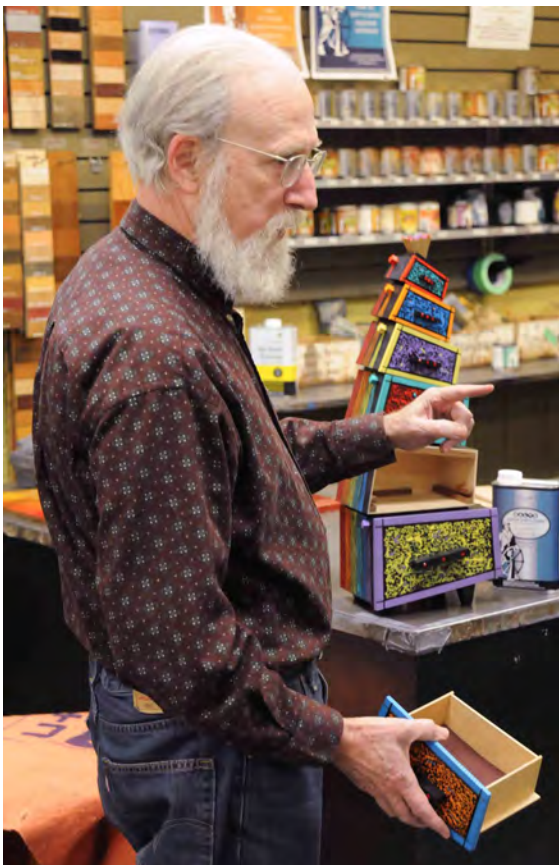
Recently, I made a clock with a door that required mortising hinges into the case, but not the door. However, I had difficulty figuring out how to precisely position the hinge on the door to drive the screws. Finally, it occurred to me to glue the door to the hinge until I could permanently attach it.

First, I cut mortises in the case and attached one leaf of each hinge with screws. After applying a tiny spot of polyurethane glue to the unattached leaves, I put a small piece of cardstock between the leaves of each hinge (to keep them snug against the door). Then, I carefully set the door in place and left it overnight. The next day, when I opened the door, I found the glue held the hinges right where they needed to be while I drilled holes and screwed the hinges in place.

—Jack Young, Saegertown, Pa.



# January Meeting





# January Meeting





# January Meeting

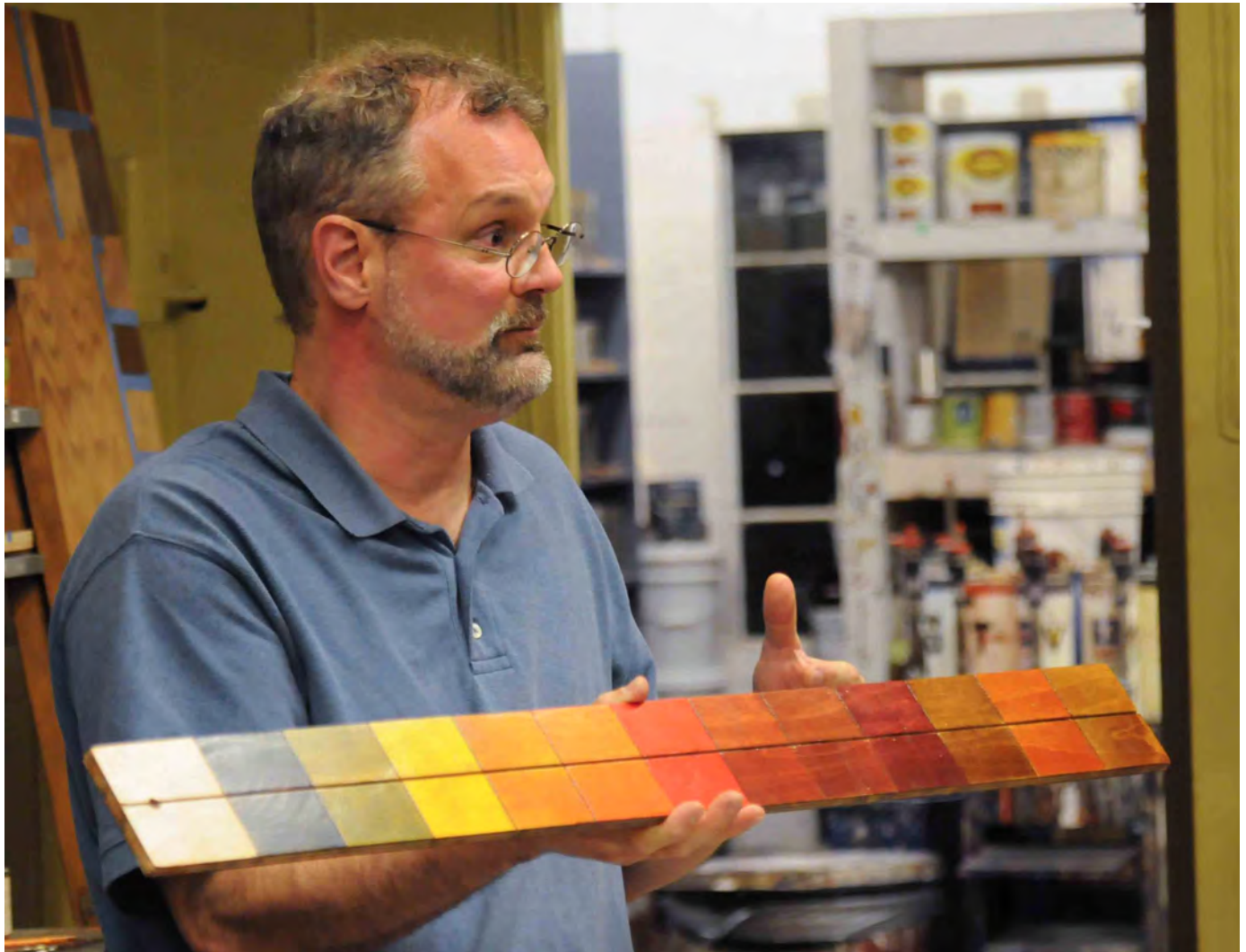


# January Meeting





# January Meeting





# January Meeting

